

PRODUCT CODE: MP43-41-10
CHANNEL BRACKET

DESCRIPTION

41mm U Bolt Beam Clamp c/w M10 Nuts & Washers

FINISH

Plate - Hot dipped Galvanised

MATERIAL

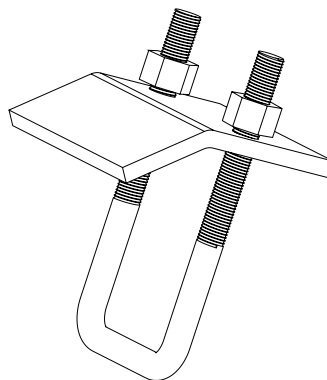
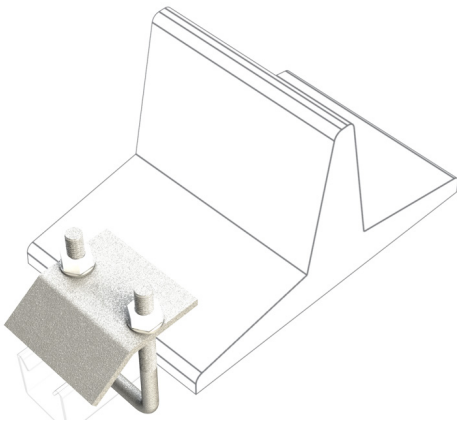
Steel

PACKAGING

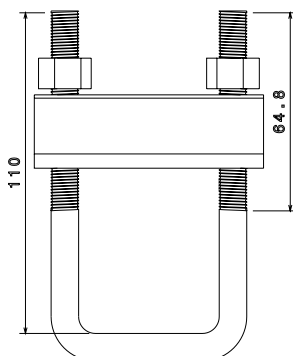
Packed in qty 10

ADDITIONAL NOTES

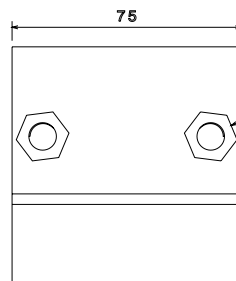
Consists; bracket plate, M10 U BZP bolt, BZP nuts & BZP washers



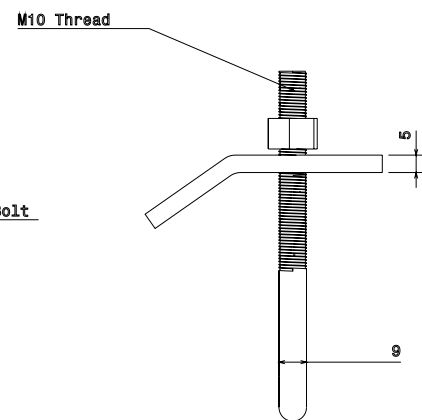
Isometric view



Front view



Top view



Side view