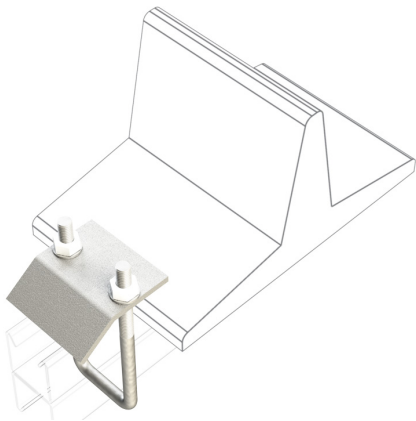


PRODUCT CODE: MP43-82-10
CHANNEL BRACKET



DESCRIPTION

82mm U Bolt Beam Clamp c/w M10 Nuts & Washers

FINISH

Plate - Hot dipped Galvanised

MATERIAL

Steel

PACKAGING

Packed in qty 10

ADDITIONAL NOTES

Consists; bracket plate, M10 U BZP bolt, BZP nuts & BZP washers

